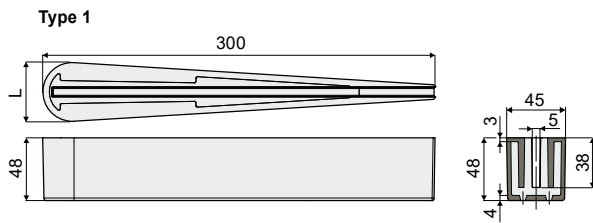
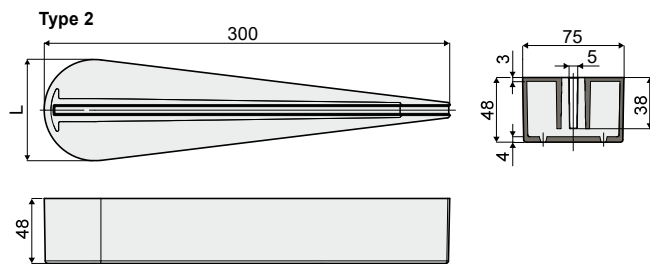


Shoes

Part. 428 Product guide shoe



L (mm)	Type 1 Code
45	428 / 85063



L (mm)	Type 2 Code
75	428 / 85064

MATERIALS: Internal part made of reinforced polypropylene, black color; external covering in polyethylene, black color.

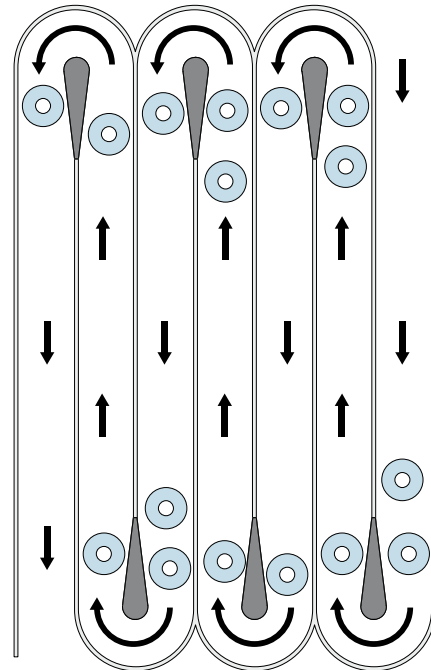
FEATURES: To be used as product guide in the conveyor systems.

BOX QUANTITY: 12 pieces.

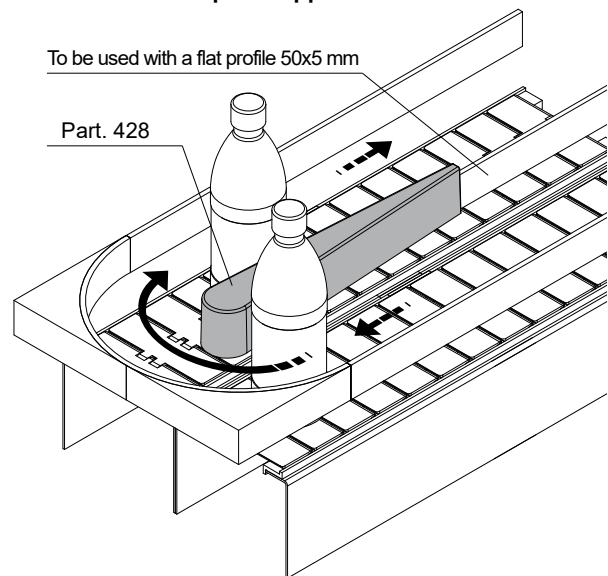
ON REQUEST:

- Box quantities: According to your request.

Example of application

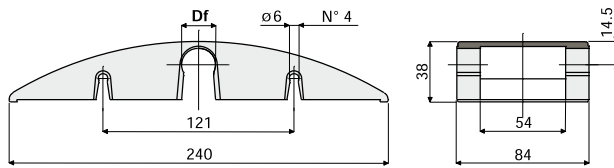


Example of application



Shoes

Self-adjusting sliding shoe for chain return Part. 267



Df	Polyamide (black colour)	Polyethylene (green colour)
Bore for pin of (mm)	Code	Code
18	267 / 82038	267 / 82812
20	267 / 82039	267 / 82813

MATERIALS: Sliding shoe is made of polyamide black colour or of polyethylene green colour.

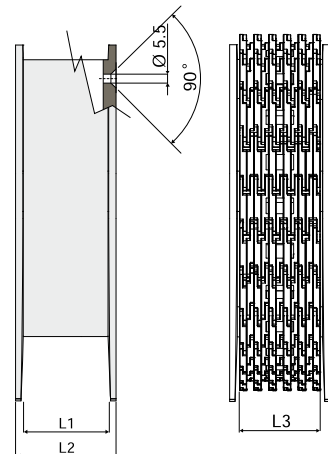
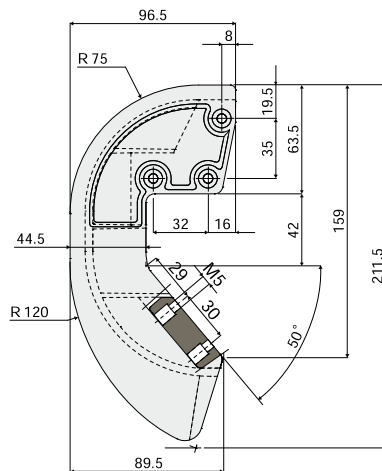
FEATURES: To be assembled in the chain return near to the sprocket. Snap-on assembly.

BOX QUANTITY: 12 pieces.

ON REQUEST:

- Sliding shoes: Other bore sizes, and colours.
- Box Quantity: According to your request.

Shoe for chain return Part. 359 (for raised rib chains)



Code	L1	L2	L3 (Chain width)
359 / 83504	41	50	38.5
359 / 83503	49	58.5	47

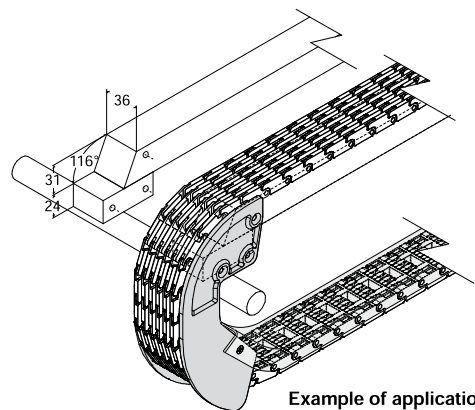
MATERIALS: Shoe in black polyethylene; screws in stainless steel AISI 304.

FEATURES: Supplied complete with screws. To be used in the idler part of the conveyor.

BOX QUANTITY: 8 pieces.

ON REQUEST:

- Shoes: Other colours.
- Box Quantity: According to your request.



Example of application