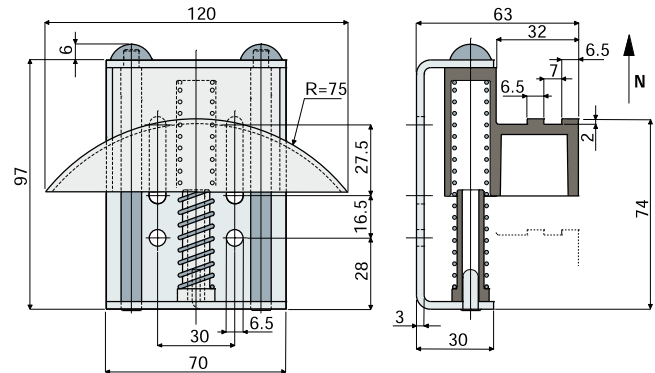


# Chain tensioners

## Part. 277 Chain tensioner with sliding shoe (for roller chain type DIN 8187 08-B1 and 08-B2)



Code	Min. tension load (N)	Max. tension load (N)
277 / 82068	60	110

**MATERIALS:** External part, pin and spring are made of zinc plated steel; sliding shoe and spring guide are made of polyamide black colour.

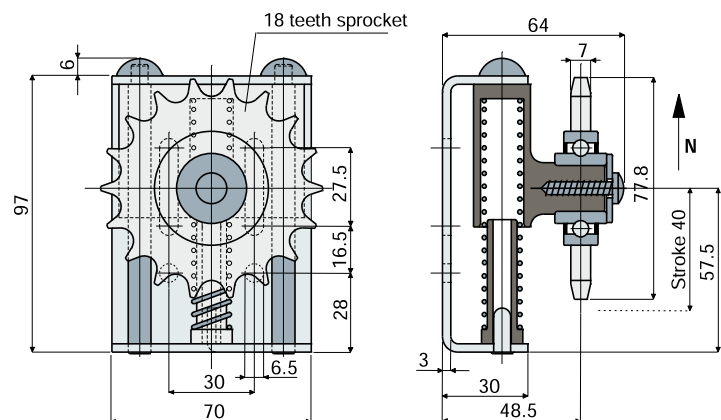
**FEATURES:** To be assembled in the transmissions with roller chain to stretch it.

**BOX QUANTITY:** 12 pieces.

**ON REQUEST:**

- Sliding shoes: Different shapes for different chains, other materials and colours.
- Box Quantity: According to your request.

## Part. 278 Chain tensioner with sprocket (for roller chain type DIN 8187 08-B1)



Code	Min. tension load (N)	Max. tension load (N)
278 / 82069	60	110

**MATERIALS:** External part, sprocket, pins and spring are made of zinc plated steel; cursor and spring guide are made of polyamide black colour.

**FEATURES:** To be assembled in the transmissions with roller chain to stretch it.

**BOX QUANTITY:** 12 pieces.

**ON REQUEST:**

- Sprockets: With other number of teeth.
- Box Quantity: According to your request.