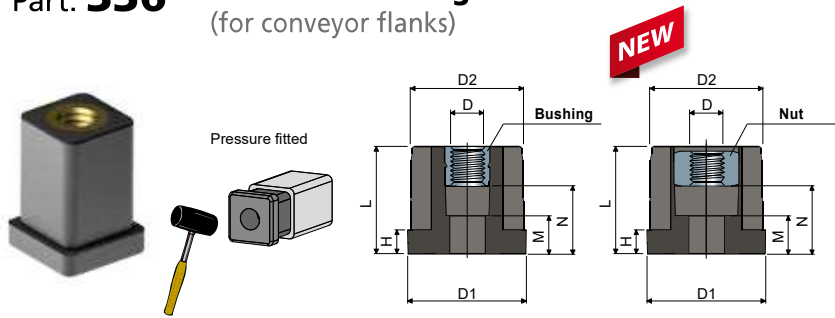


Bushings

Part. 336 Threaded bushings (for conveyor flanks)



Tube dimensions										With bushing
Outside (mm)	Thickness (mm)	Inside (mm)	Thread D	D1 (mm)	D2 (mm)	H (mm)	L (mm)	M (mm)	N (mm)	Code
20x20	1,5	17x17	M8	20x20	17x17	5	28	13	18	336 / 83138

Tube dimensions										With nut
Outside (mm)	Thickness (mm)	Inside (mm)	Thread D	D1 (mm)	D2 (mm)	H (mm)	L (mm)	M (mm)	N (mm)	Code
20x20	1,5	17x17	M8	20x20	17x17	5	28	13	18	336 / 84563

MATERIALS: Bushing in reinforced polyamide black colour; threaded insert or nut in brass.

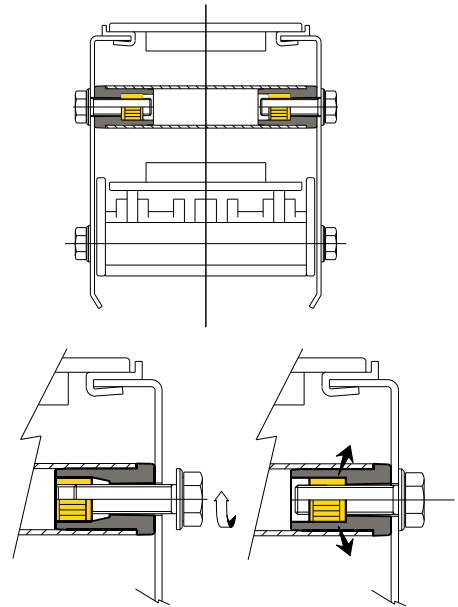
FEATURES: Supplied assembled. To be assembled in the conveyor flanks.

BOX QUANTITY: 48 pieces.

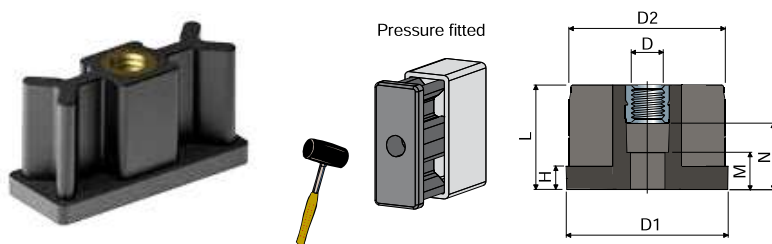
ON REQUEST:

- Bushes: Special thickness tube.
- Box Quantity: According to your request.

Example of application



Part. 335 Threaded bushings (for conveyor flanks)



Tube dimensions										Code
Outside (mm)	Thickness (mm)	Inside (mm)	Thread D	D1 (mm)	D2 (mm)	H (mm)	L (mm)	M (mm)	N (mm)	Code
20x50	2	16x46	M8	20x50	16x46	5	28	13	18	335 / 83128

MATERIALS: Bush in reinforced polyamide black colour; threaded insert in brass.

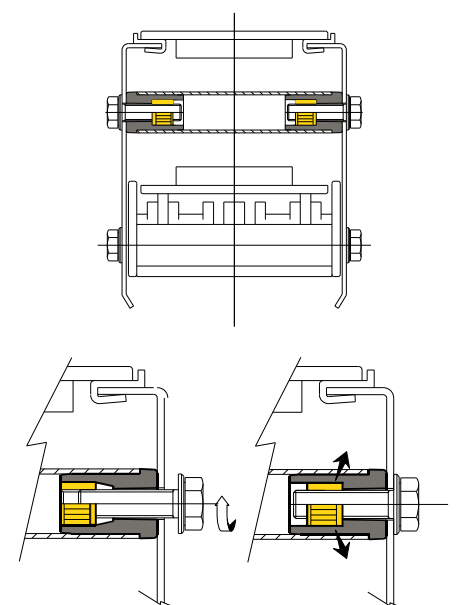
FEATURES: Supplied assembled. To be assembled in the conveyor flanks.

BOX QUANTITY: 48 pieces.

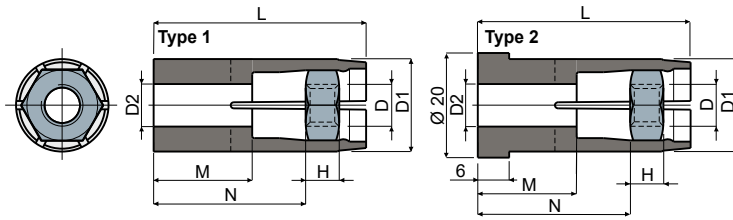
ON REQUEST:

- Bushes: Special thickness tube.
- Box Quantity: According to your request.

Example of application



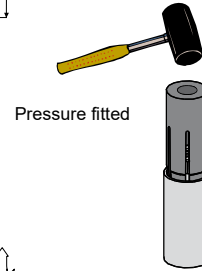
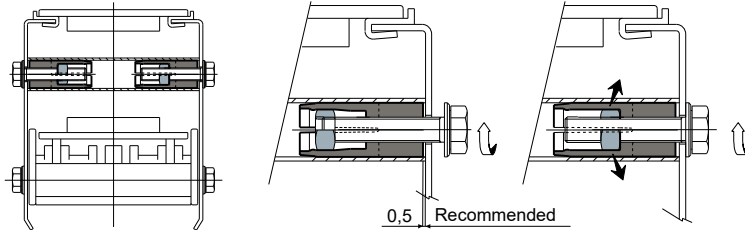
Bushings



Expansion plugs (for round tubes)

Part. **283**

Example of application



Tube dimensions										Type 1
Outside (mm)	Thickness (mm)	Inside (mm)	D (mm)	D1 (mm)	D2 (mm)	H (mm)	L (mm)	M (mm)	N (mm)	Code
20	1,5	17	M8	17	8,5	6,5	40	18	28	283 / 82579
25	1,5	22	M10	22	10,5	8	51	23	36	283 / 82505

Tube dimensions										Type 2
Outside (mm)	Thickness (mm)	Inside (mm)	D (mm)	D1 (mm)	D2 (mm)	H (mm)	L (mm)	M (mm)	N (mm)	Code
20	1,5	17	M8	17	8,5	6,5	40	19	29	283 / 82664
25	1,5	22	M8	22	8,5	6,5	51	23	36	283 / 84865

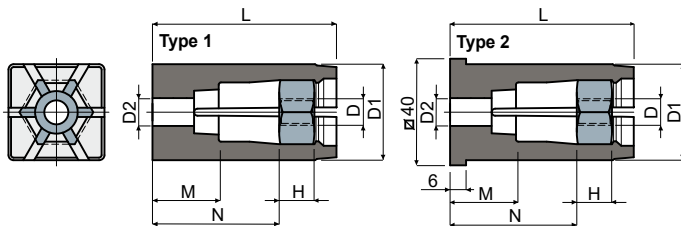
MATERIALS: Plug made of reinforced polyamide black colour; nut made of stainless steel AISI 304.

FEATURES: Supplied assembled. To be assembled in the conveyor flanks.

BOX QUANTITY: 48 pieces.

ON REQUEST:

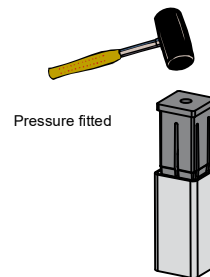
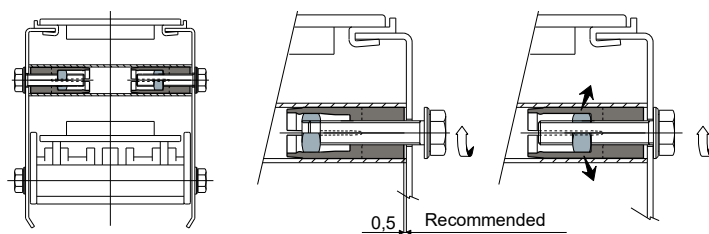
- Plugs: Special thickness tube.
- Box Quantity: According to your request.



Expansion plugs (for square tubes)

Part. **414**

Example of application



Tube dimensions										Type 1
Outside (mm)	Thickness (mm)	Inside (mm)	D (mm)	D1 (mm)	D2 (mm)	H (mm)	L (mm)	M (mm)	N (mm)	Code
40x40	2	36x36	M8	36	10,5	13	69	24,8	47,5	414 / 84868
40x40	2	36x36	M10	36	10,5	13	69	24,8	47,5	414 / 85096

Tube dimensions										Type 2
Outside (mm)	Thickness (mm)	Inside (mm)	D (mm)	D1 (mm)	D2 (mm)	H (mm)	L (mm)	M (mm)	N (mm)	Code
40x40	2	36x36	M8	36	10,5	13	69	24,8	47,5	414 / 84545
40x40	2	36x36	M10	36	10,5	13	69	24,8	47,5	414 / 84546

MATERIALS: Plug made of reinforced polyamide black colour; nut made of stainless steel AISI 304.

FEATURES: Supplied assembled. To be assembled in the conveyor flanks.

BOX QUANTITY: 48 pieces.

ON REQUEST:

- Plugs: Special thickness tube.
- Box Quantity: According to your request.