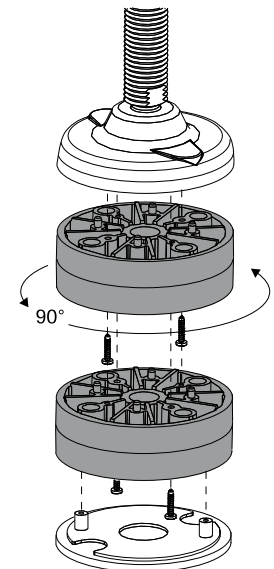
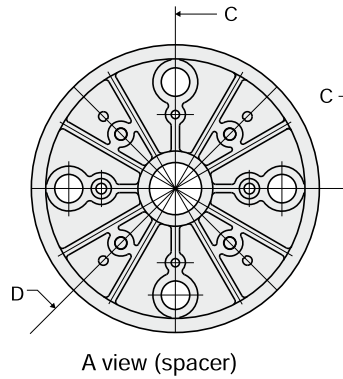
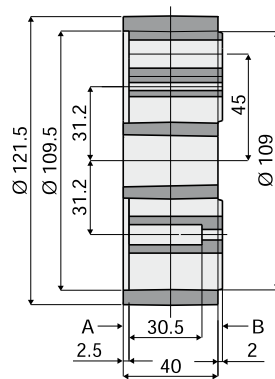
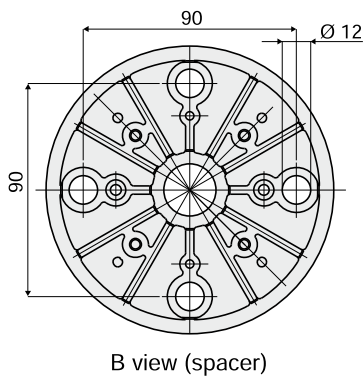


Spacer

(for Part. 92, 93)

Part. **104**



Example of application

Code
104 / 83410

Materials: Spacer in reinforced polyamide black colour.

Features: To be used with footplates part. 92 and 93 to increase the height of the footplates. It is possible to assemble the anti-slip code 7633 (see page 183, 187).

Box quantity: 8 pieces.

On request:

- Box Quantity: According to your request.