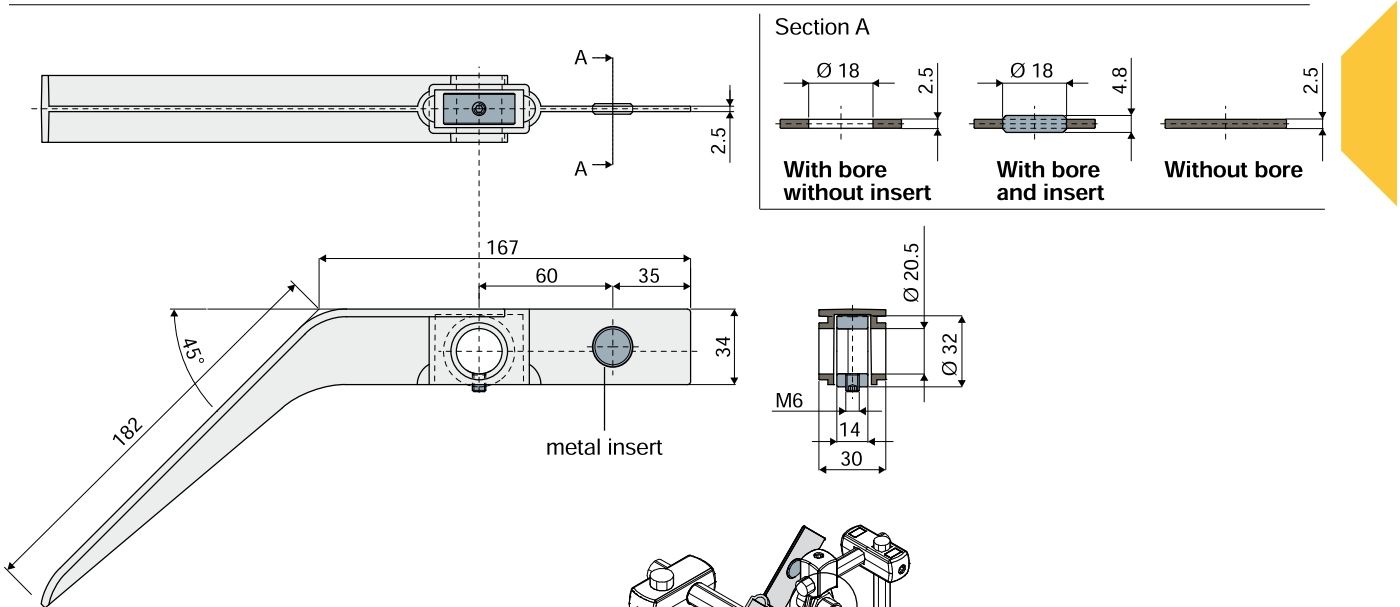


# Process control

## Scanning lever

Part. **360**



Stop ring in zinc plated steel		
Without bore	With bore without sensor insert	With bore and sensor insert
Code	Code	Code
360 / 83606	360 / 83607	360 / 83608

Stop ring in stainless steel AISI 304		
Without bore	With bore without sensor insert	With bore and sensor insert
Code	Code	Code
360 / 84091	360 / 85184	360 / 85185

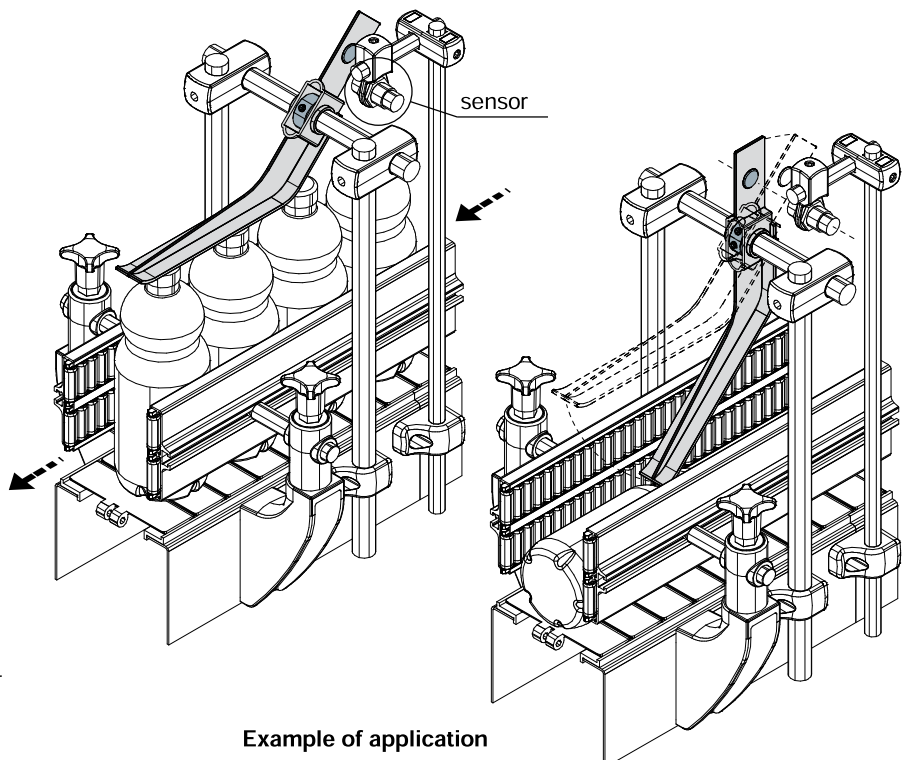
**NEW**

**MATERIALS:** Scanning lever in reinforced Polyamide black colour; grain and collar in zinc-plated steel or stainless steel AISI 304.  
**FEATURES:** Supplied assembled.  
 To be used in the surveying of the packaged products, to help the arrival of the products.

**BOX QUANTITY:** 24 pieces.

**ON REQUEST:**

- Scanning levers: Versions without stop ring nor sensor insert; in different colors.
- Box Quantity: According to your request.



Example of application