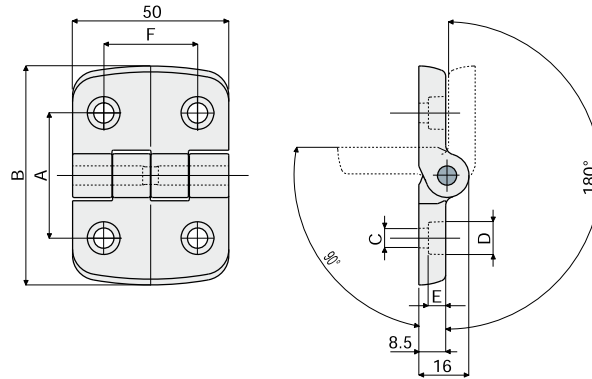


Hinges

Part. 233 Hinge



A (mm)	B (mm)	C (mm)	D (mm)	E (mm)	F (mm)	Code
34	50	5,5	10,5	3,5	34	233 / 80970
31	50	5,5	9	5	30	233 / 80772
40	70	6,5	10,5	6	30	233 / 80773
46	70	6,5	10,5	6	30	233 / 80774
46	70	8,5	13,5	5	30	233 / 80775

MATERIALS: Hinge made of reinforced polyamide black colour; pin made of stainless steel AISI 304.

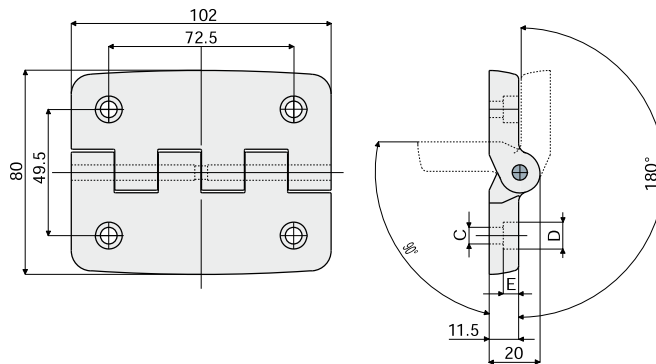
FEATURES: Maximum rotation 270°

BOX QUANTITY: 24 pieces.

ON REQUEST:

- Hinges: In reinforced polypropylene, other colours.
- Box Quantity: According to your request.

Part. 234 Hinge



C (mm)	D (mm)	E (mm)	Code
6,5	10,5	6	234 / 80776
8,5	13,5	8	234 / 80777

MATERIALS: Hinge made of reinforced polyamide black colour; pin made of stainless steel AISI 304.

FEATURES: Maximum rotation 270°

BOX QUANTITY: 24 pieces.

ON REQUEST:

- Hinges: In reinforced polypropylene, other colours.
- Box Quantity: According to your request.