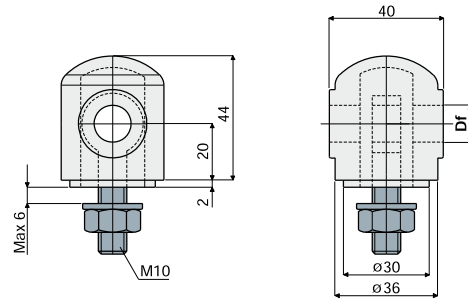


Heads for brackets

Part. 222 Head for bracket



Df Bore for pin of (mm)	Code
12	222 / 80671
14	222 / 80672
16	222 / 80673



MATERIALS: Head made of reinforced polyamide black colour; eyebolt, nut and washer made of stainless steel AISI 304.

FEATURES: To be used with bracket Part.209, 220 and 242. Max tightening torque 4 Kg-m.

BOX QUANTITY: 24 pieces.

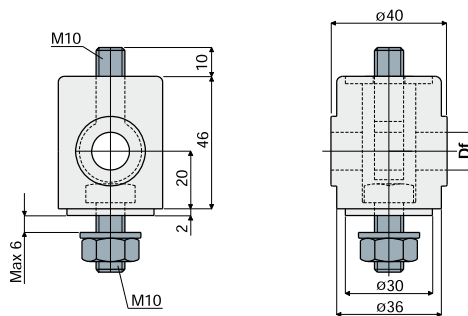
ON REQUEST:

- Heads: In reinforced polypropylene, other colours.
- Box Quantity: According to your request.

Part. 221 Head for bracket



Df Bore for pin of (mm)	Code
12	221 / 80668
14	221 / 80669
16	221 / 80670



MATERIALS: Head made of reinforced polyamide black colour; eyebolt, screw, nut and washers made of stainless steel AISI 304.

FEATURES: To be used with bracket Part.209, 220 and 242. Max tightening torque 4 Kg-m.

BOX QUANTITY: 24 pieces.

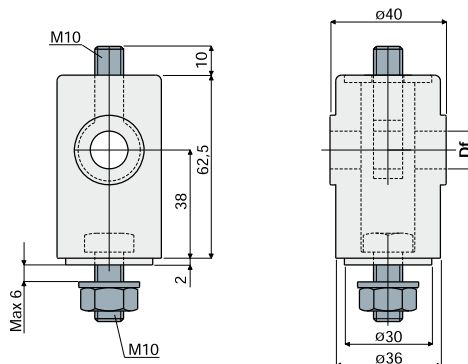
ON REQUEST:

- Heads: In reinforced polypropylene, other colours.
- Box Quantity: According to your request.

Part. 266 Head for bracket (high type)



Df Bore for pin of (mm)	Code
12	266 / 82035
14	266 / 82036
16	266 / 82037



MATERIALS: Head made of reinforced polyamide black colour; eyebolt, nuts and washer made of stainless steel AISI 304.

FEATURES: To be used with bracket Part.209, 220 and 242. Max tightening torque 4 Kg-m.

BOX QUANTITY: 24 pieces.

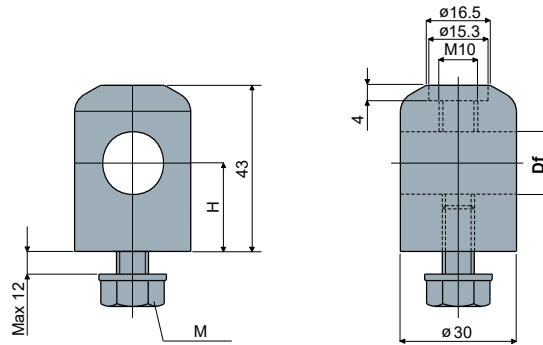
ON REQUEST:

- Heads: Made of reinforced polypropylene, other colours.
- Box Quantity: According to your request.

Heads for brackets

Head for bracket (metal)

Part. 223



M	Df		H	Head made out of	Head made out of
	Bore for pin of			nickel plated brass	stainless steel AISI 304
	(mm)	(inches)	(mm)	Code	Code
M8x16	14 - 16	-	22	-	223 / 84544
M10x16	14 - 16	-	22	-	223 / 84226
	12,7	1/2"	22	-	223 / 84543
M10x20	14 - 16	-	22	223 / 80674	223 / 80675
	14 - 16	-	40	-	223 / 84542
	14 - 16	-	60	-	223 / 83640

MATERIALS: Head made out of stainless steel AISI 304 or nickel plated brass; screw and washer made out of stainless steel AISI 304.

FEATURES: To be used with Part.209, 220 and 242. Max tightening torque 4 Kg-m.

Possibility to use pins with diameter 12,7, 14, 16 mm and 1/2".

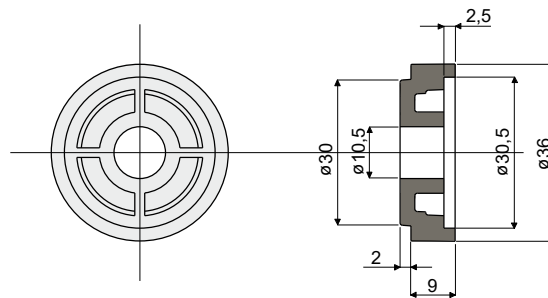
BOX QUANTITY: 24 pieces.

ON REQUEST:

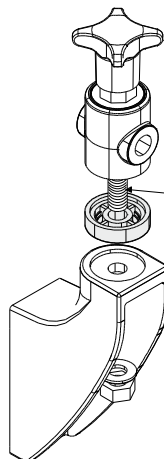
- Heads: In different lengths.
- Box Quantity: According to your request.

Spacer for heads

Part. 256



Example of application



N.B.: To use the spacer, it is necessary to change the standard screw with a longer one.

Code
256 / 81011

MATERIALS: Spacer made of reinforced polyamide black colour.

FEATURES: Accessory to be used on brackets Part.214, 215, 216, 217, 219, 255, 209, 220, 242, 218, 243, 244, 279, 280, 281 to increase heads height.

BOX QUANTITY: 24 pieces.

ON REQUEST:

- Spacers: In reinforced polypropylene, other colours.
- Box Quantity: According to your request.