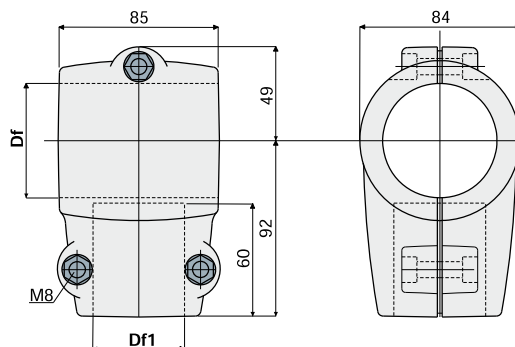


Connecting joints

Connection joint for round tubes

Part. **210**



Df		Df1		Zinc plated bolts and nuts	Stainless steel AISI 304 bolts and nuts
Bore for tubes of (mm)	Bore for tubes of (Inches)	Bore for tubes of (mm)	Bore for tubes of (Inches)	Code	Code
60,3	2"	48,3	1" 1/2	210 / 80638	210 / 80639
60,3	2"	42,4	1" 1/4	210 / 80640	210 / 80641
48,3	1" 1/2	48,3	1" 1/2	210 / 80642	210 / 80643
48,3	1" 1/2	42,4	1" 1/4	210 / 80644	210 / 80645
42,4	1" 1/4	42,4	1" 1/4	210 / 80646	210 / 80647

MATERIALS: Joint made of reinforced polyamide black colour; bolts and nuts made of stainless steel AISI 304 or zinc plated steel.

FEATURES: Max tightening torque 2 Kg-m.

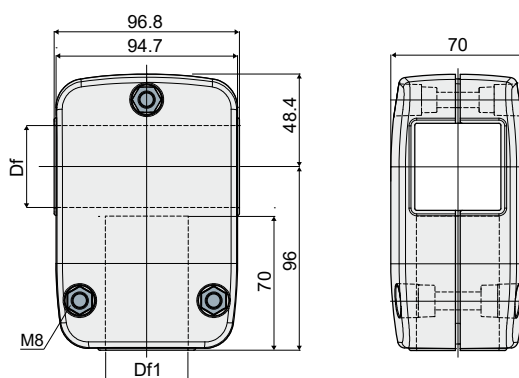
BOX QUANTITY: 8 pieces.

ON REQUEST:

- Joints: In reinforced polypropylene, other colours.
- Box Quantity: According to your request.
- Assembling of: Bolts and nuts.

Connection joint for square tubes

Part. **210**



Df	Df1	Zinc plated bolts and nuts	Stainless steel AISI 304 bolts and nuts
Bore for tubes of (mm)	Bore for tubes of (mm)	Code	Code
40x40	40x40	210 / 85114	210 / 85115
45x45	45x45	210 / 84132	210 / 84133

MATERIALS: Joint made of reinforced polyamide black colour; bolts and nuts made of stainless steel AISI 304 or zinc plated steel.

FEATURES: Max tightening torque 2 Kg-m.

BOX QUANTITY: 8 pieces.

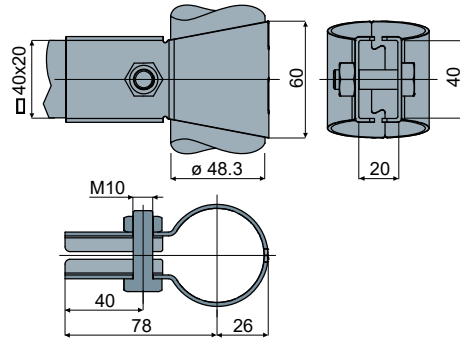
ON REQUEST:

- Joints: In reinforced polypropylene, other colours.
- Box Quantity: According to your request.
- Assembling of: Bolts and nuts.

Connecting joints

Part. 403 Connection joint

NEW

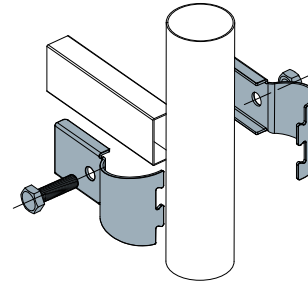


Code
403 / 84325

MATERIALS: Joint, screw and nut made of stainless steel AISI 304.
FEATURES: Supplied complete with bolts and nuts.
BOX QUANTITY: 8 pieces.
ON REQUEST:

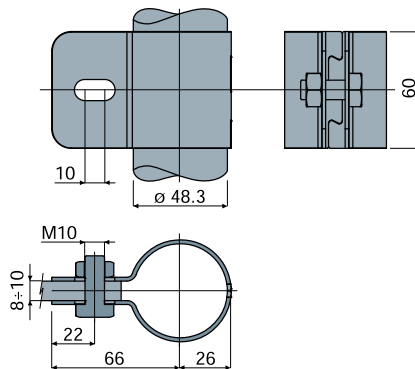
- Box Quantity: According to your request.
- Assembly of: Bolts and nuts.

Example of application



Part. 404 Connection joint

NEW

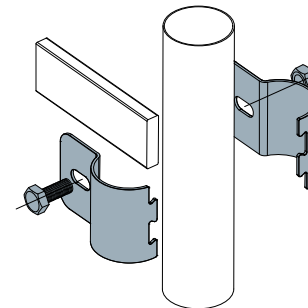


Code
404 / 84326

MATERIALS: Joint, screw and nut made of stainless steel AISI 304.
FEATURES: Supplied complete with bolts and nuts.
BOX QUANTITY: 8 pieces.
ON REQUEST:

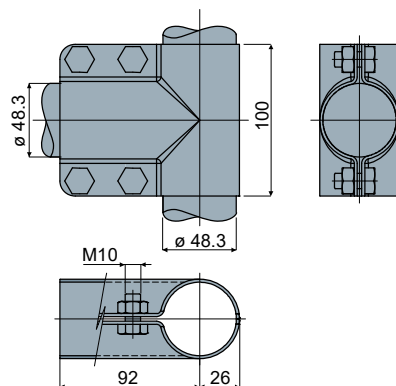
- Box Quantity: According to your request.
- Assembly of: Bolts and nuts.

Example of application



Part. 401 Connection joint

NEW



Code
401 / 84323

MATERIALS: Joint, screws and nuts made of stainless steel AISI 304.
FEATURES: Supplied complete with bolts and nuts.
BOX QUANTITY: 8 pieces.
ON REQUEST:

- Box Quantity: According to your request.
- Assembly of: Bolts and nuts.

Example of application

